

Care furniture

Agily® 400 x 400 trolleys

The Agily® dressing trolleys are adaptable and can be equipped for different uses. PRATICIMA will help you to adapt your equipment according to your needs.

Thanks to their innovative design and their ultra-light components, these carts are very good tools for hospital works.

Photos are not contractual



Advantages

- ▶ Ergonomic, handy and light aluminium structure
- ▶ Adaptable according to your needs: shelves and 400 x 400 containers...
- ▶ 400 x 400 compact dressing cart
- ▶ Resistant to the disinfecting products of hospital environments
- ▶ Easy to clean



Hygienic



Ergonomic

Care furniture

Agily® 400 x 400 trolleys

Trolleys

- ▶ Dimensions: W. 567 x D. 540 x H. 980 mm
- ▶ Capacity: 8 drawers 75 mm high
- ▶ Anodised anti-corrosive aluminium structure
- ▶ 2 types of shelves: thermoplastic or compact (phenolic resin)
- ▶ 4 swivelling Ø 125 mm wheels, 2 with brake
- ▶ Non-marking rubber and buffers
- ▶ Available colours:

Pop blue

Apple green

Orange

Fuchsia

Pearl grey

BP

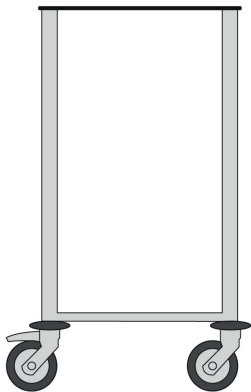
VP

OR

FU

GR

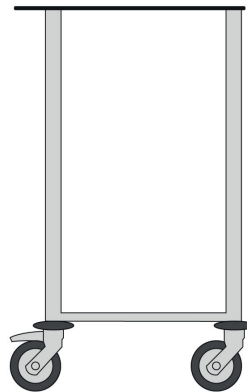
Trolleys with compact shelf



Configuration n°05

400 x 400 trolleys equipped with a one top compact shelf
Dimensions : L. 558 x D. 540 x H. 987 mm

> Ref. AGIL4_05



Configuration n°6

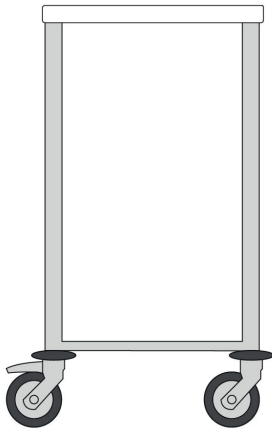
400 x 400 trolleys equipped with a one top compact shelf with handle
Dimensions : L. 631 x D. 540 x H. 987 mm

> Ref. AGIL4_06

Agily® 400 x 400 trolleys

Trolleys with thermoplastic shelf

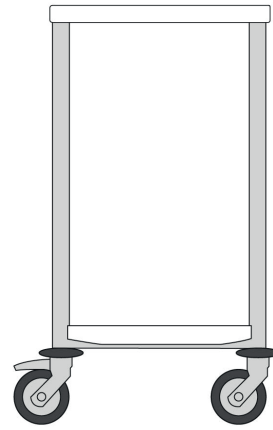
Dimensions : L. 567 x D. 540 x H. 980 mm



Configuration n°03

400 x 400 trolleys equipped with a one top thermoplastic shelf

> Ref. AGIL4_03

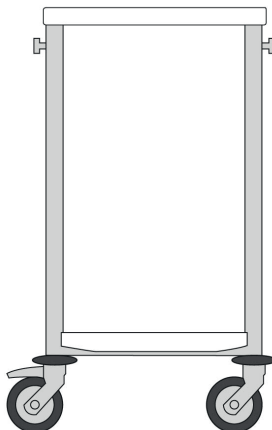


Configuration n°01

400 x 400 trolleys equipped with:

- ▶ 1 top thermoplastic shelf
- ▶ 1 lower thermoplastic shelf

> Ref. AGIL4_01

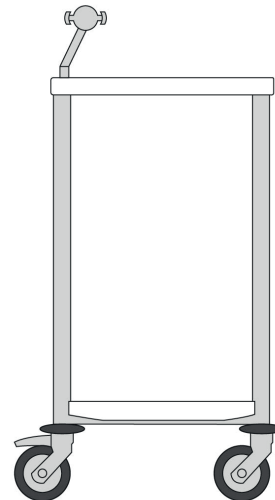


Configuration n°04

400 x 400 trolleys equipped with:

- ▶ 1 top thermoplastic shelf
- ▶ 1 lower thermoplastic shelf
- ▶ 2 standard rails (top right and bottom right)

> Ref. AGIL4_04



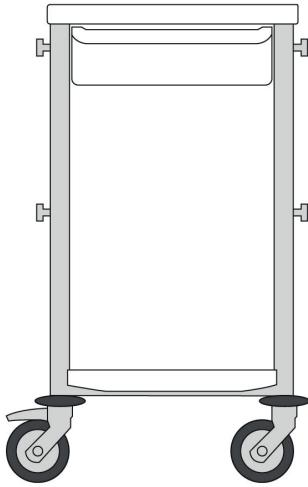
Configuration n°14

400 x 400 trolleys equipped with::

- ▶ 1 top thermoplastic shelf
- ▶ 1 lower thermoplastic shelf
- ▶ 1 tablet holder

> Ref. AGIL4_14

Agily® 400 x 400 trolleys

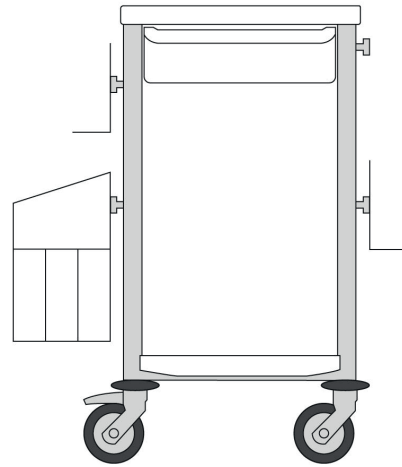


Configuration n°22

400 x 400 trolleys equipped with:

- ▶ 1 top thermoplastic shelf
- ▶ 1 lower thermoplastic shelf
- ▶ 1 drawer H. 115 mm with runners
- ▶ 4 standard rails

> Ref. AGIL4_22

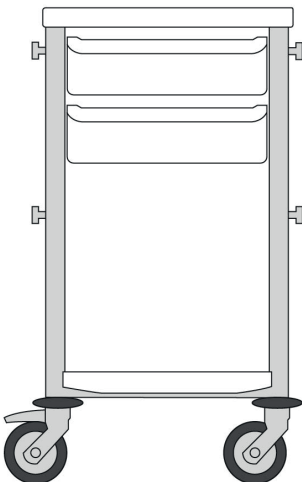


Configuration n°25

400 x 400 trolleys equipped with:

- ▶ 1 top thermoplastic shelf
- ▶ 1 lower thermoplastic shelf
- ▶ 1 drawer H. 75 mm with runners
- ▶ 4 standard rails
- ▶ 1 standard support for glove box
- ▶ 1 standard support for sharp container
- ▶ 1 double bag holder

> Ref. AGIL4_25

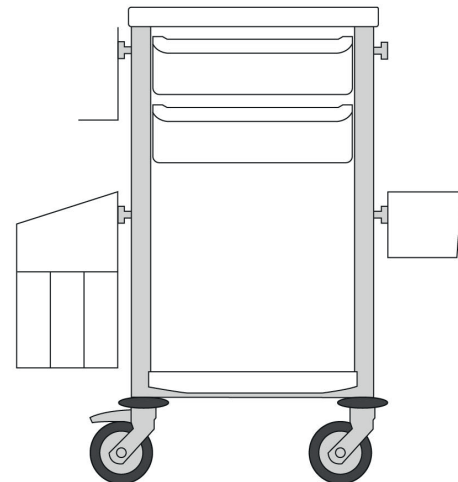


Configuration n°28

400 x 400 trolleys equipped with:

- ▶ 1 top thermoplastic shelf
- ▶ 1 lower thermoplastic shelf
- ▶ 2 drawer H. 115 mm with runners
- ▶ 4 standard rails

> Ref. AGIL4_28



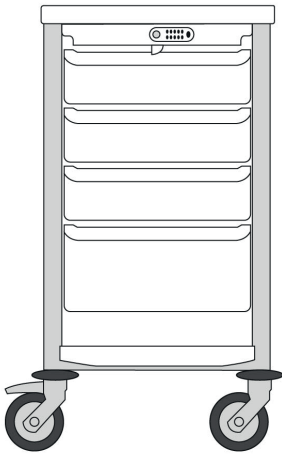
Configuration n°31

400 x 400 trolleys equipped with:

- ▶ 1 top thermoplastic shelf
- ▶ 1 lower thermoplastic shelf
- ▶ 1 drawer H. 115 mm with runners
- ▶ 4 standard rails
- ▶ 1 plastic tray
- ▶ 1 standard support for sharp container
- ▶ 1 double bag holder

> Ref. AGIL4_31

Agily® 400 x 400 trolleys

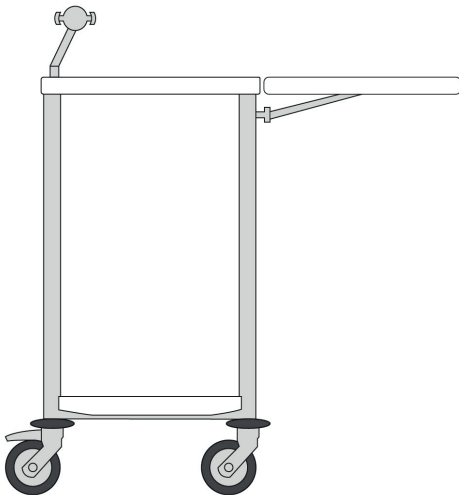


Configuration n°33

400 x 400 trolleys equipped with:

- ▶ 1 top thermoplastic shelf
- ▶ 1 lower thermoplastic shelf
- ▶ 1 secure code for bin H. 115 mm
- ▶ 3 drawer H. 115 mm with runners
- ▶ 1 drawer H. 195 mm with runners

> Ref. AGIL4_33

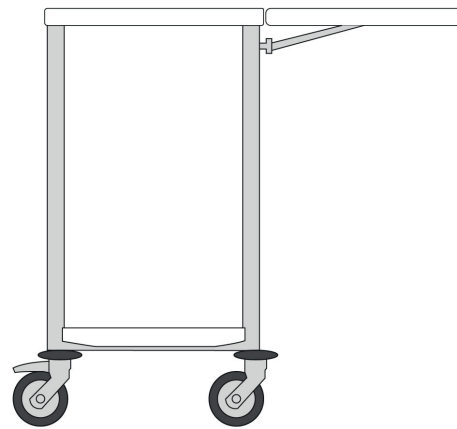


Configuration n°17

400 x 400 trolleys equipped with:

- ▶ 1 top thermoplastic shelf
- ▶ 1 lower thermoplastic shelf
- ▶ 1 support pour tablette tactile numérique
- ▶ 1 standard rail (top right)
- ▶ 1 foldable extension shelf

> Ref. AGIL4_17

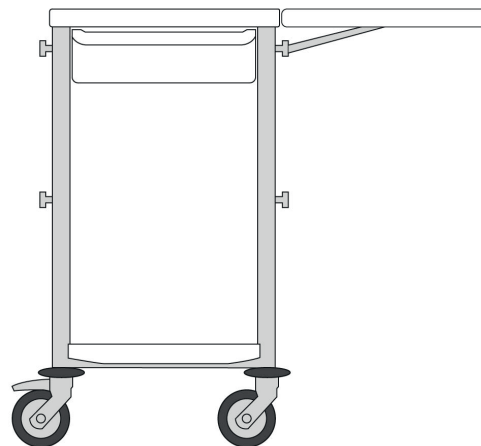


Configuration n°07

400 x 400 trolleys equipped with:

- ▶ 1 top thermoplastic shelf
- ▶ 1 lower thermoplastic shelf
- ▶ 1 standard rail (top right)
- ▶ 1 foldable extension shelf

> Ref. AGIL4_07



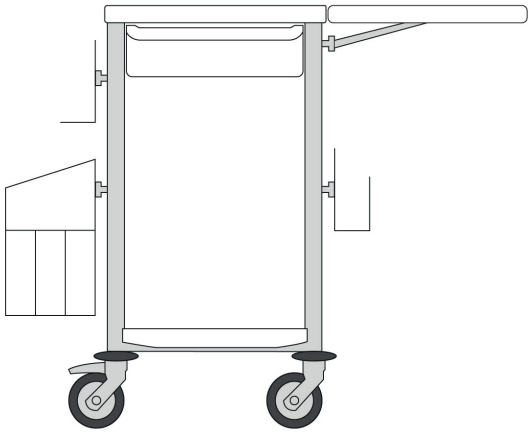
Configuration n°23

400 x 400 trolleys equipped with:

- ▶ 1 top thermoplastic shelf
- ▶ 1 lower thermoplastic shelf
- ▶ 1 drawer H. 115 mm with runners
- ▶ 4 standard rails
- ▶ 1 foldable extension shelf

> Ref. AGIL4_23

Agily® 400 x 400 trolleys

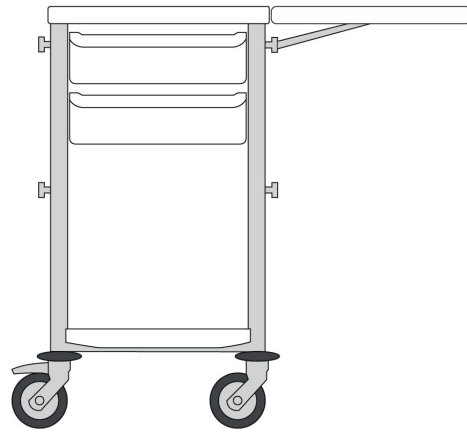


Configuration n°26

400 x 400 trolleys equipped with:

- ▶ 1 top thermoplastic shelf
- ▶ 1 lower thermoplastic shelf
- ▶ 1 drawer H. 115 mm with runners
- ▶ 4 standard rails
- ▶ 1 foldable extension shelf
- ▶ 1 standard support for glove box
- ▶ 1 standard support for sharp container
- ▶ 1 double bag holder

> Ref. AGIL4_26

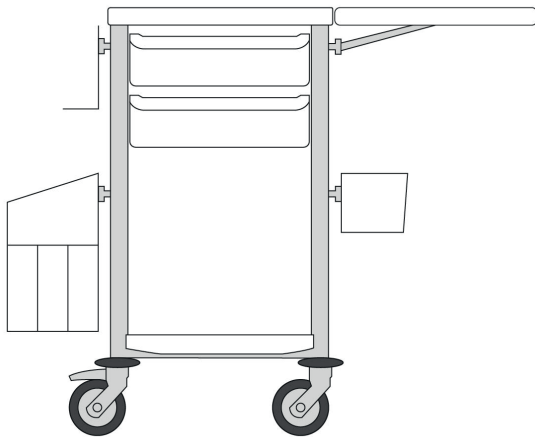


Configuration n°29

400 x 400 trolleys equipped with:

- ▶ 1 top thermoplastic shelf
- ▶ 1 lower thermoplastic shelf
- ▶ 2 drawer H. 115 mm with runners
- ▶ 4 standard rails
- ▶ 1 foldable extension shelf

> Ref. AGIL4_29

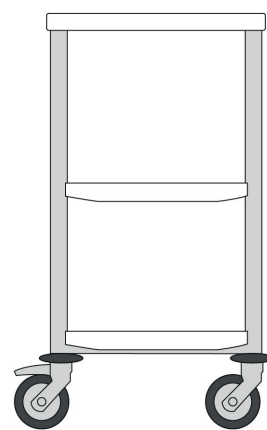


Configuration n°32

400 x 400 trolleys equipped with:

- ▶ 1 top thermoplastic shelf
- ▶ 1 lower thermoplastic shelf
- ▶ 2 drawer H. 115 mm with runners
- ▶ 4 standard rails
- ▶ 1 foldable extension shelf
- ▶ 1 plastic tray
- ▶ 1 standard support for sharp container
- ▶ 1 double bag holder

> Ref. AGIL4_32



Configuration n°02

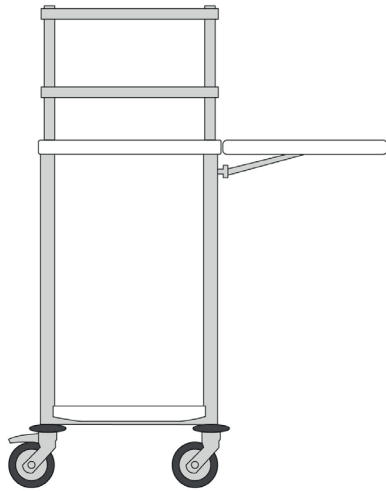
400 x 400 trolleys equipped with:

- ▶ 1 top thermoplastic shelf
- ▶ 1 middle thermoplastic shelf
- ▶ 1 lower thermoplastic shelf

> Ref. AGIL4_02

Care furniture

Agily® 400 x 400 trolleys

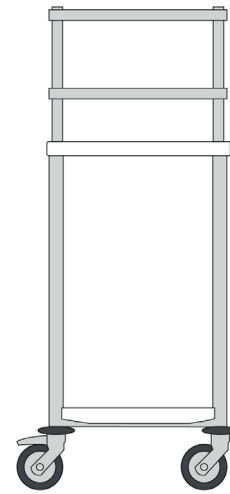


Configuration n°10

400 x 400 trolleys equipped with:

- ▶ 1 top thermoplastic shelf
- ▶ 1 lower thermoplastic shelf
- ▶ 1 standard rail (top right)
- ▶ 1 foldable extension shelf
- ▶ 1 upper frame with 2 standard rails

> Ref. AGIL4_10



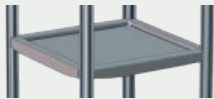


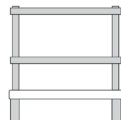
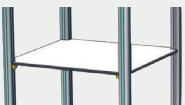




Configuration n°20

400 x 400 trolleys equipped with:

- ▶ 1 top thermoplastic shelf
- ▶ 1 lower thermoplastic shelf
- ▶ 1 upper frame with 2 standard rails

> Ref. AGIL4_20

Options

Description	Picture	Reference	Description	Picture	Reference
Thermoplastic middle shelf		87303	Tablet telescopic		87305
Thermoplastic lower shelf		87304	Upper frame with 2 standard aluminium rails		87302
Tablet intermediate in compact		87309	Pull-down extension tray (thermoplastic)		87301
4 hooks for standard rails		28007N	Handle		87125
Tray W. 400 x D. 400 x H. 75 (included end stops) Tray W. 400 x D. 400 x H. 115 (included end stops) Tray W. 400 x D. 400 x H. 195 (included end stops)					87309

Care furniture

Agily® 600 x 400 trolleys

The Agily® dressing trolleys are adaptable and can be equipped for different uses. PRATICIMA will help you to adapt your equipment according to your needs.

Thanks to their innovative design and their ultra-light components, these carts are very good tools for hospital work.

Photos are not contractual



Advantages

- ▶ Ergonomic, handy and light aluminium structure
- ▶ Adaptable according to your needs: shelves and 600 x 400 trays...
- ▶ 2 types of shelves: thermoplastic and compact
- ▶ Hygienic materials
- ▶ Easy to clean: smooth surface
- ▶ Resistant to the disinfecting products of hospital environments



Hygienic



Ergonomic

Agily® 600 x 400 trolleys

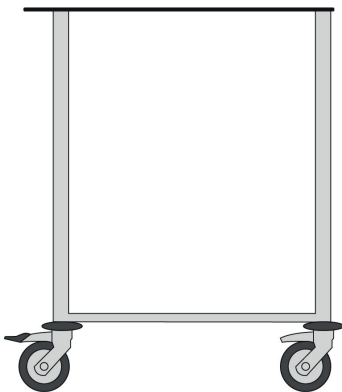
Trolleys

- ▶ Capacity: 8 drawers 75 high
- ▶ Anodised anti-corrosive aluminium structure
- ▶ 2 types of shelves: Thermoplastic or Compact with integrated handle (phenolic resin)
- ▶ Materials resistant to shocks, scratches and main disinfecting products / detergents
- ▶ 4 swivelling Ø 125 mm polyamide wheels, 1 with brake
- ▶ Non-marking rubber and buffers
- ▶ Available colours:

Pop blue	Apple green	Orange	Fuchsia	Pearl grey
BP	VP	OR	FU	GR

Trolleys with compact shelf

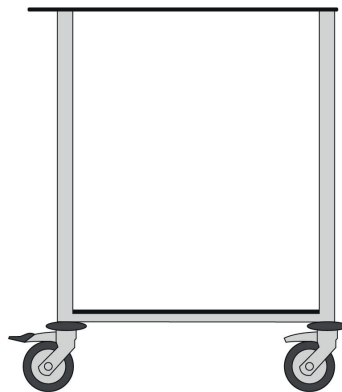
Dimensions : L. 812 x D. 540 x H. 987 mm



Configuration n°11

600 x 400 trolleys equipped with a one top compact shelf with handle

> Ref. AGIL6_11

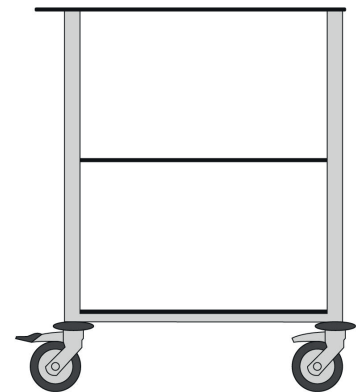


Configuration n°12

600 x 400 trolleys equipped with:

- ▶ 1 top compact shelf with handle
- ▶ 1 lower compact shelf

> Ref. AGIL6_12



Configuration n°13

600 x 400 trolleys equipped with:

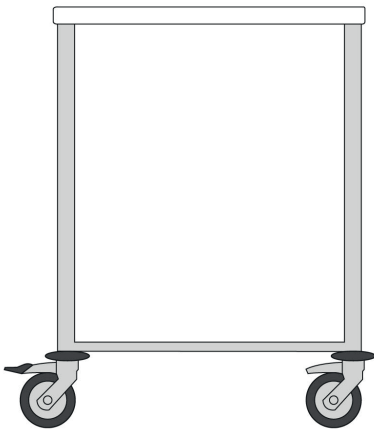
- ▶ 1 top compact shelf with handle
- ▶ 1 middle compact shelf
- ▶ 1 lower compact shelf

> Ref. AGIL6_13

Agily® 600 x 400 trolleys

Trolleys with thermoplastic shelf

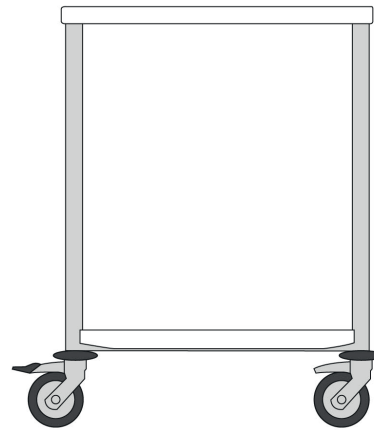
Dimensions : L. 749 x D. 540 x H. 980 mm



Configuration n°03

600 x 400 trolleys equipped with a one top thermoplastic shelf

> Ref. AGIL6_03

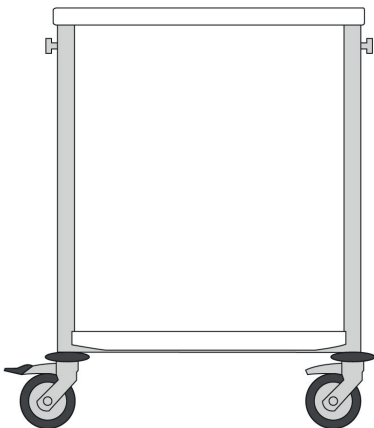


Configuration n°01

600 x 400 trolleys equipped with:

- ▶ 1 top thermoplastic shelf
- ▶ 1 lower thermoplastic shelf

> Ref. AGIL6_01

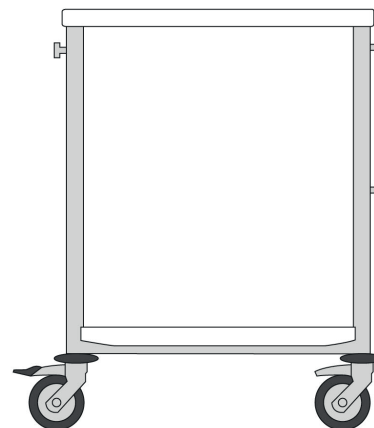


Configuration n°04

600 x 400 trolleys equipped with:

- ▶ 1 top thermoplastic shelf
- ▶ 1 lower thermoplastic shelf
- ▶ 2 standard rails (top right and top left)

> Ref. AGIL6_04



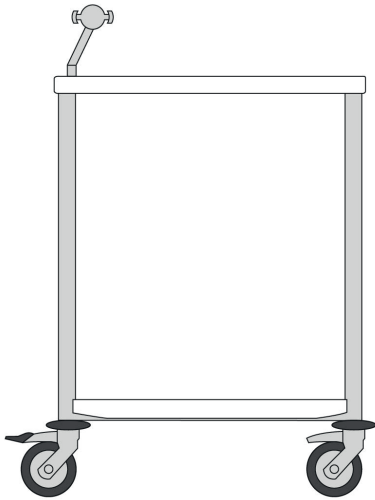
Configuration n°05

600 x 400 trolleys equipped with:

- ▶ 1 top thermoplastic shelf
- ▶ 1 lower thermoplastic shelf
- ▶ 3 standard rails (top right, bottom right and top left)

> Ref. AGIL6_05

Agily® 600 x 400 trolleys

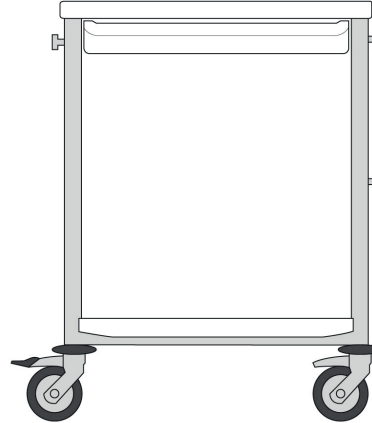


Configuration n°14

600 x 400 trolleys equipped with:

- ▶ 1 top thermoplastic shelf
- ▶ 1 lower thermoplastic shelf
- ▶ 1 tablet holder

> Ref. AGIL6_14

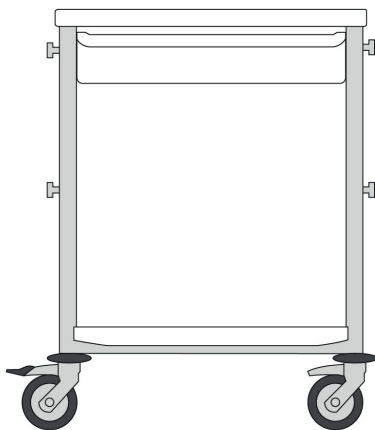


Configuration n°24

600 x 400 trolleys equipped with:

- ▶ 1 top thermoplastic shelf
- ▶ 1 lower thermoplastic shelf
- ▶ 1 drawer H. 75 mm with runners
- ▶ 3 standard rails (top right, bottom right and top left)

> Ref. AGIL6_24

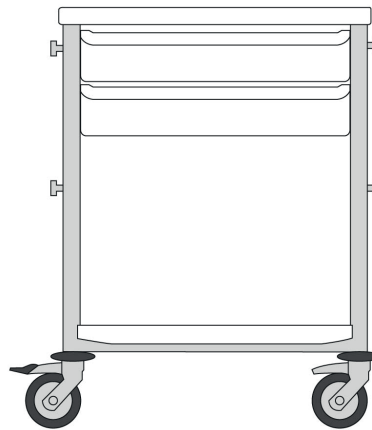


Configuration n°25

600 x 400 trolleys equipped with:

- ▶ 1 top thermoplastic shelf
- ▶ 1 lower thermoplastic shelf
- ▶ 1 drawer H. 115 mm with runners
- ▶ 4 standard rails

> Ref. AGIL6_25



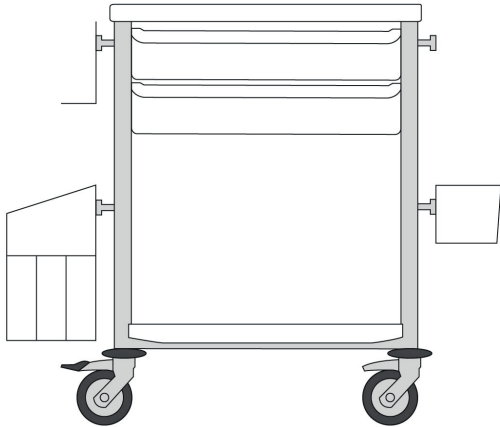
Configuration n°28

600 x 400 trolleys equipped with:

- ▶ 1 top thermoplastic shelf
- ▶ 1 lower thermoplastic shelf
- ▶ 2 drawer H. 115 mm with runners
- ▶ 4 standard rails

> Ref. AGIL6_28

Agily® 600 x 400 trolleys



Configuration n°30

600 x 400 trolleys equipped with:

- ▶ 1 top thermoplastic shelf
- ▶ 1 lower thermoplastic shelf
- ▶ 2 drawer H. 115 mm with runners
- ▶ 4 standard rails
- ▶ 1 plastic tray
- ▶ 1 standard support for sharp container
- ▶ 1 double bag holder

> Ref. AGIL6_30

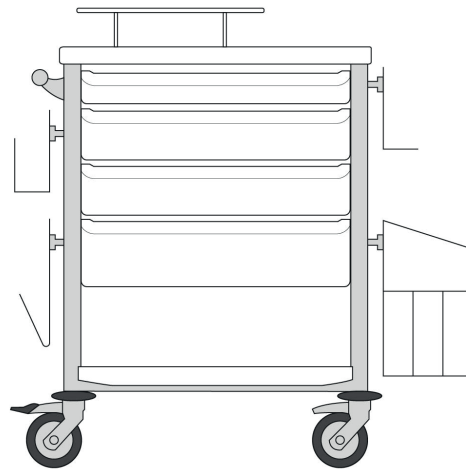


Configuration n°39

600 x 400 trolleys equipped with:

- ▶ 1 top thermoplastic shelf
- ▶ 1 lower thermoplastic shelf
- ▶ 1 secure code for bin H. 115 mm
- ▶ 3 drawer H. 115 mm with runners
- ▶ 1 drawer H. 235 mm with runners
- ▶ 2 standard rails (top right and bottom right)

> Ref. AGIL6_39



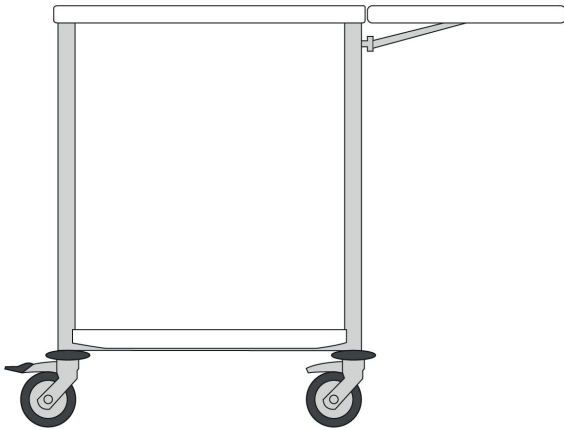
Configuration n°35

600 x 400 trolleys equipped with:

- ▶ 1 top thermoplastic shelf
- ▶ 1 bottle wedge 5 boxes - small model
- ▶ 1 lower thermoplastic shelf
- ▶ 1 push handle
- ▶ 1 drawer H. 75 mm with runners
- ▶ 2 drawer H. 115 mm with runners
- ▶ 1 drawer H. 155 mm with runners
- ▶ 1 compartmentalization kit 6 boxes for drawer H. 75 mm
- ▶ 1 compartmentalization kit 6 boxes for drawer H. 115 mm
- ▶ 4 standard rails
- ▶ 1 standard support for glove box
- ▶ 1 compartment sorter
- ▶ 1 standard support for sharp container
- ▶ 1 double bag holder

> Ref. AGIL6_35

Agily® 600 x 400 trolleys

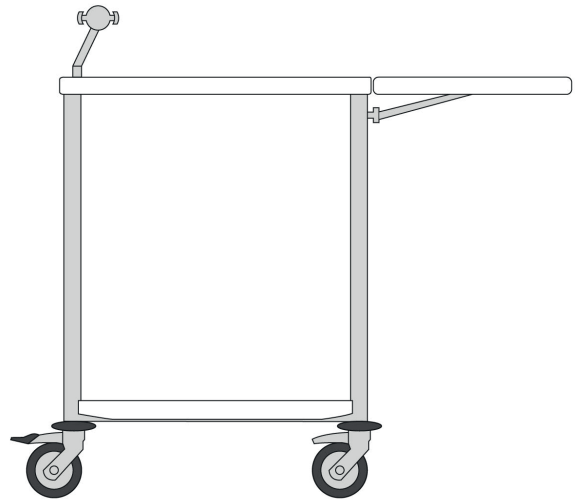


Configuration n°07

600 x 400 trolleys equipped with:

- ▶ 1 top thermoplastic shelf
- ▶ 1 lower thermoplastic shelf
- ▶ 1 standard rail (top right)
- ▶ 1 foldable extension shelf

> Ref. AGIL6_07

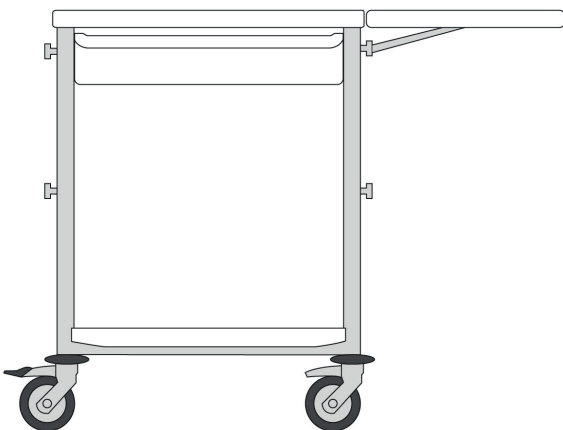


Configuration n°17

600 x 400 trolleys equipped with:

- ▶ 1 top thermoplastic shelf
- ▶ 1 lower thermoplastic shelf
- ▶ 1 support pour tablette tactile numérique
- ▶ 1 standard rail (top right)
- ▶ 1 foldable extension shelf

> Ref. AGIL6_17

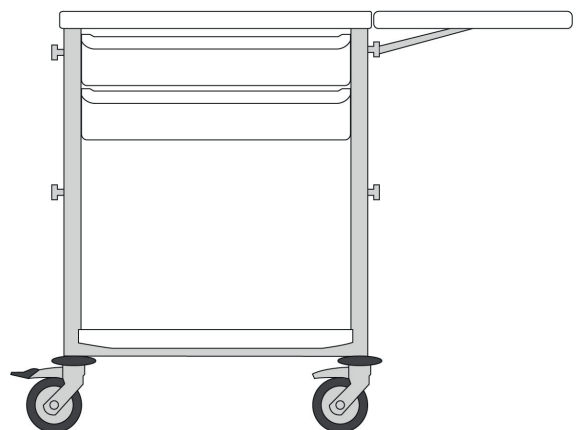


Configuration n°26

600 x 400 trolleys equipped with:

- ▶ 1 top thermoplastic shelf
- ▶ 1 lower thermoplastic shelf
- ▶ 4 standard rails
- ▶ 1 foldable extension shelf
- ▶ 1 drawer H. 115 mm with runners

> Ref. AGIL6_26



Configuration n°29

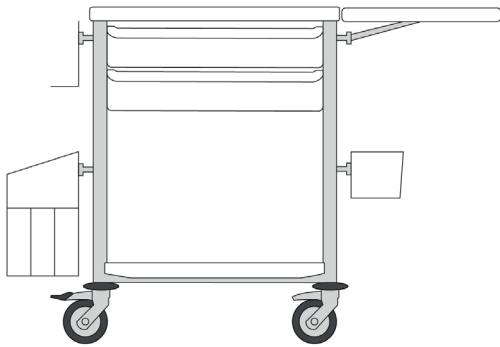
600 x 400 trolleys equipped with:

- ▶ 1 top thermoplastic shelf
- ▶ 1 lower thermoplastic shelf
- ▶ 2 drawer H. 115 mm with runners
- ▶ 4 standard rails
- ▶ 1 foldable extension shelf

> Ref. AGIL6_29

Care furniture

Agily® 600 x 400 trolleys

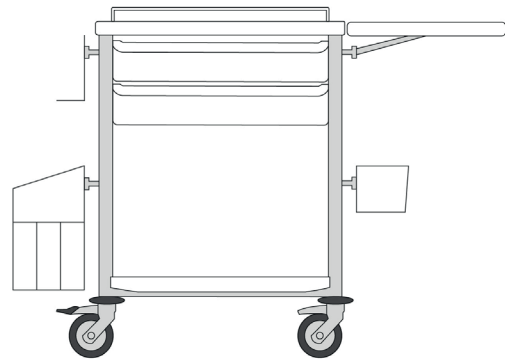


Configuration n°31

600 x 400 trolleys equipped with:

- ▶ 1 top thermoplastic shelf
- ▶ 1 lower thermoplastic shelf
- ▶ 2 drawer H. 115 mm with runners
- ▶ 4 standard rails
- ▶ 1 foldable extension shelf
- ▶ 1 plastic tray
- ▶ 1 standard support for sharp container
- ▶ 1 double bag holder

> Ref. AGIL6_31

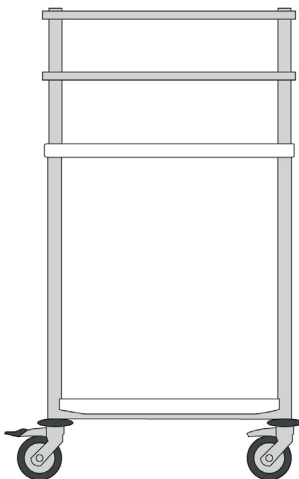


Configuration n°32

600 x 400 trolleys equipped with:

- ▶ 1 top thermoplastic shelf
- ▶ 1 lower thermoplastic shelf
- ▶ 1 upper gallery 3 sides with suction cups
- ▶ 2 drawer H. 115 mm with runners
- ▶ 4 standard rails
- ▶ 1 foldable extension shelf
- ▶ 1 plastic tray
- ▶ 1 standard support for sharp container
- ▶ 1 double bag holder

> Ref. AGIL6_32

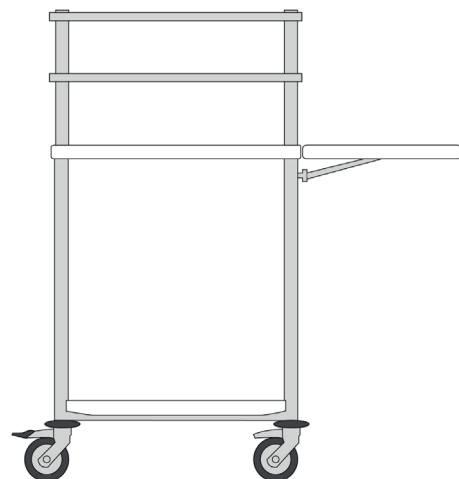


Configuration n°23

600 x 400 trolleys equipped with:

- ▶ 1 top thermoplastic shelf
- ▶ 1 lower thermoplastic shelf
- ▶ 1 upper frame with 2 standard rails

> Ref. AGIL6_23



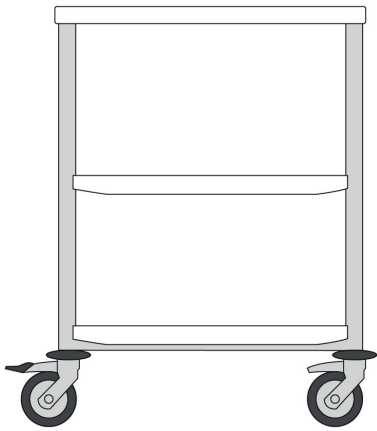
Configuration n°10

600 x 400 trolleys equipped with:

- ▶ 1 top thermoplastic shelf
- ▶ 1 lower thermoplastic shelf
- ▶ 1 standard rail (top right)
- ▶ 1 foldable extension shelf
- ▶ 1 upper frame with 2 standard rails

> Ref. AGIL6_10

Agily® 600 x 400 trolleys

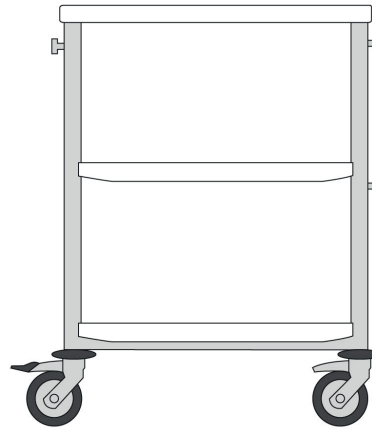


Configuration n°02

600 x 400 trolleys equipped with:

- ▶ 1 top thermoplastic shelf
- ▶ 1 middle thermoplastic shelf
- ▶ 1 lower thermoplastic shelf

> Ref. AGIL6_02

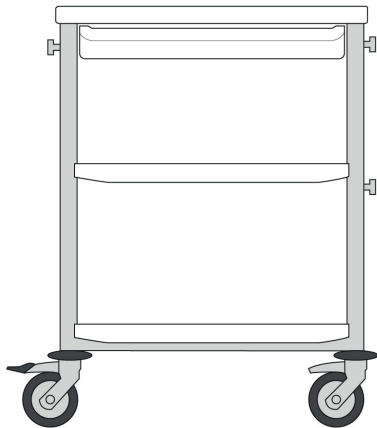


Configuration n°36

600 x 400 trolleys equipped with:

- ▶ 1 top thermoplastic shelf
- ▶ 1 middle thermoplastic shelf
- ▶ 1 lower thermoplastic shelf
- ▶ 3 standard rails (top right, bottom right and top left)

> Ref. AGIL6_36

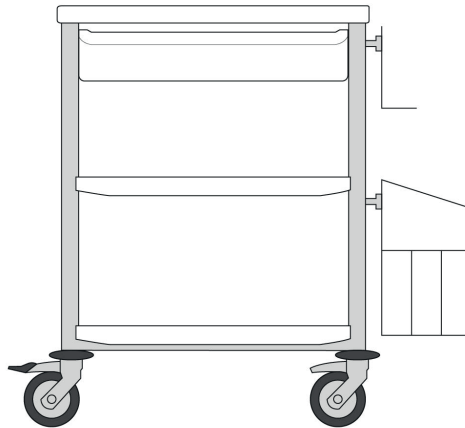


Configuration n°37

600 x 400 trolleys equipped with:

- ▶ 1 top thermoplastic shelf
- ▶ 1 middle thermoplastic shelf
- ▶ 1 lower thermoplastic shelf
- ▶ 1 drawer H. 75 mm with runners
- ▶ 3 standard rails (top right, bottom right and top left)

> Ref. AGIL6_37



Configuration n°38

600 x 400 trolleys equipped with:



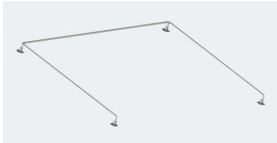



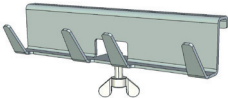
- ▶ 1 top thermoplastic shelf
- ▶ 1 middle thermoplastic shelf
- ▶ 1 lower thermoplastic shelf
- ▶ 1 drawer H. 115 mm with runners
- ▶ 2 standard rails (top right, bottom right)
- ▶ 1 standard support for sharp container
- ▶ 1 bag holder

> Ref. AGIL6_38

Care furniture

Agily® 600 x 400 trolleys

Options

Description	Picture	Reference	Description	Picture	Reference
Handle for thermoplastic Agily® trolley		87125	Pull-down extension tray (thermoplastic)		87301
Wire guard on upper shelf (suction cup)		87061	Middle wire guards on 3 sides		87068
600 x 400 trays (runners included)		TIROIR_S	Upper frame with 2 standard aluminium rails		87143
4 hooks for standard rail		28007N			